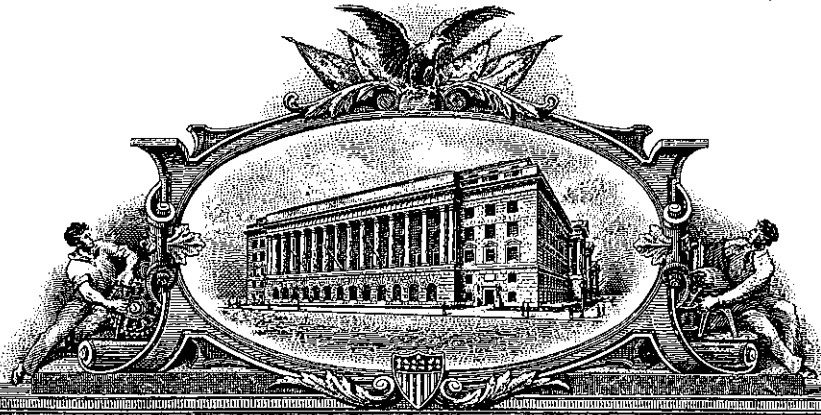


U 7016153



THE UNITED STATES OF AMERICA

TO ALL TO WHOM THESE PRESENTS SHALL COME:

UNITED STATES DEPARTMENT OF COMMERCE

United States Patent and Trademark Office

June 09, 2006

**THIS IS TO CERTIFY THAT ANNEXED HERETO IS A TRUE COPY FROM
THE RECORDS OF THIS OFFICE OF:**

U.S. PATENT: 7,052,359

ISSUE DATE: May 30, 2006

**By Authority of the
Under Secretary of Commerce for Intellectual Property
and Director of the United States Patent and Trademark Office**



W. Montgomery
W. MONTGOMERY
Certifying Officer



US007052359B2

(12) **United States Patent**
Chen et al.

(10) **Patent No.:** **US 7,052,359 B2**
(45) **Date of Patent:** **May 30, 2006**

(54) **BACKLESS, STRAPLESS BRA**

(76) Inventors: **David E. Chen**, 20912 Granite Wells Rd., Walnut, CA (US) 91789; **Jasper Chang**, 2856 Bentley Way, Diamond Bar, CA (US) 91765; **Alice Chang**, 2856 Bentley Way, Diamond Bar, CA (US) 91765

2,844,151 A	7/1958	Lemons
2,869,553 A	1/1959	D'Or
2,882,905 A	4/1959	Barg
3,196,878 A	7/1965	Hedu
3,280,818 A	10/1966	Pankey et al.
3,297,036 A	1/1967	Williams
3,556,107 A	1/1971	Brumfield
3,749,102 A	7/1973	Wynants
3,934,593 A	1/1976	Mellinger

(*) Notice: Subject to any disclaimer, the term of this patent is extended or adjusted under 35 U.S.C. 154(b) by 0 days.

(Continued)

FOREIGN PATENT DOCUMENTS

DE 0216441 7/1961

(Continued)

OTHER PUBLICATIONS

Abstract and Figures Only for French Patent No. 2505620 (Nov. 19, 1982).

(Continued)

Primary Examiner—Gloria M. Hale

(74) *Attorney, Agent, or Firm*—Christie, Parker & Hale, LLP

(57) **ABSTRACT**

An improved backless, strapless bra comprising a pair of bra cups having an interior surface facing towards a user's skin that comprises a pressure sensitive adhesive layer disposed thereon for adjoining the bra cups to the user's skin. The bra cups are permanently or removably adjoining by a connector that is positioned between inner side portions of the bra cups. The connector can have a variety of configurations that enable the user to attach the bra cups. The connector allows the user to create a desired amount of breast cleavage and breast push-up enhancement. The bra can also be used with a pull-up device that attaches to the top portion of the bra cups and allows the user to lift the bra cups and the user's breasts to provide additional breast push-up enhancement.

9 Claims, 8 Drawing Sheets

(21) Appl. No.: **11/179,383**

(22) Filed: **Jul. 11, 2005**

(65) **Prior Publication Data**

US 2005/0250418 A1 Nov. 10, 2005

Related U.S. Application Data

(63) Continuation of application No. 10/801,479, filed on Mar. 15, 2004, now Pat. No. 6,916,224, which is a continuation of application No. 10/211,110, filed on Aug. 2, 2002, now Pat. No. 6,780,081.

(51) **Int. Cl.**
A41C 3/00 (2006.01)

(52) **U.S. Cl.** 450/54; 450/81; 450/58

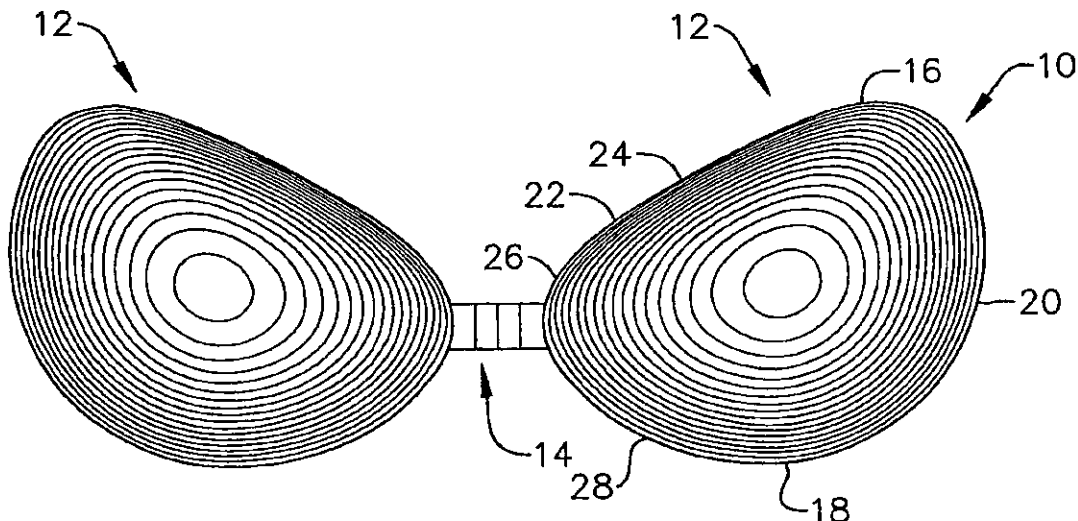
(58) **Field of Classification Search** 450/81, 450/37-39, 54-58; 2/267, 268, 96

See application file for complete search history.

(56) **References Cited**

U.S. PATENT DOCUMENTS

817,020 A *	4/1906	Thompson	450/54
2,079,426 A *	5/1937	Schottenfels	450/81
2,579,365 A *	12/1951	Conde	450/39
2,728,079 A	12/1955	Williams	
2,793,369 A *	5/1957	Panighini	450/53



US 7,052,359 B2

Page 2

U.S. PATENT DOCUMENTS

4,553,550	A	11/1985	Hattori	
4,992,074	A	2/1991	Diaz	
5,352,307	A *	10/1994	Wild	156/66
5,538,502	A	7/1996	Johnstone	
5,755,611	A *	5/1998	Noble et al.	450/39
5,792,292	A	8/1998	Wild	
5,922,023	A	7/1999	Mulligan et al.	
D419,279	S	1/2000	Marco et al.	
6,200,195	B1	3/2001	Furuno et al.	
6,231,424	B1	5/2001	Valentin	
6,253,424	B1 *	7/2001	Rainville-Lonn	24/306
6,257,951	B1 *	7/2001	DeMarco	450/55
6,257,952	B1	7/2001	Valentin	
6,283,820	B1	9/2001	Huang	
6,758,720	B1 *	7/2004	Chen	450/57
6,780,081	B1 *	8/2004	Chen et al.	450/81
6,852,001	B1 *	2/2005	Chen et al.	450/57
6,916,224	B1 *	7/2005	Chen et al.	450/57

2001/0021620	A1	9/2001	DeMarco
2001/0027079	A1	10/2001	Valentin

FOREIGN PATENT DOCUMENTS

FR	989453 A	9/1951
FR	1092914	4/1955
GB	0785851	11/1957
GB	2208785 A	4/1989
KR	10-0419298	2/2004

OTHER PUBLICATIONS

Figures Only for Italian Patent No. IT 0521811 (May 1955).
Dr. Leonard's—America's Leading Discount Healthcare
Catalog, p. 15, Natural Looking Breast Enhancer Pads,
Silicone Covered with Film, 1998.

* cited by examiner